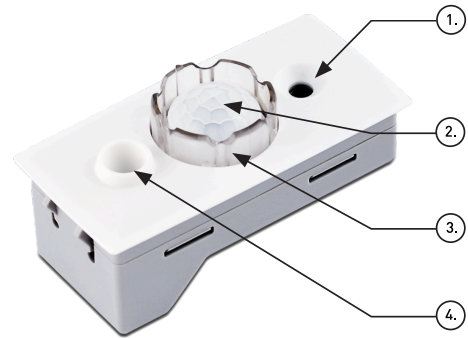


315 iDim Sense System & Standalone

The iDim Sense is a luminaire-based DALI sensor suitable both for standalone use and for operation with a Helvar router system. It provides:

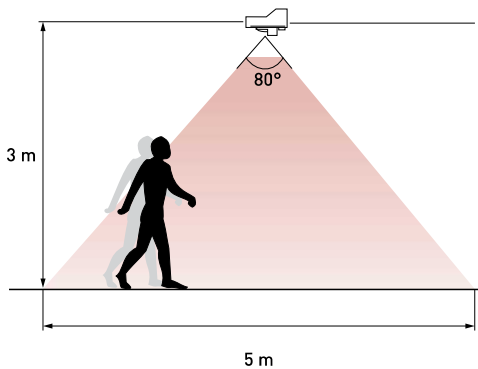
1. a remote control receiver (IR) for remote control.
2. a passive infrared (PIR) movement detector.
3. a manual mode selector for choosing among six out-of-box. application modes (operational only in standalone mode).
4. a light sensor (CL) for constant light function.



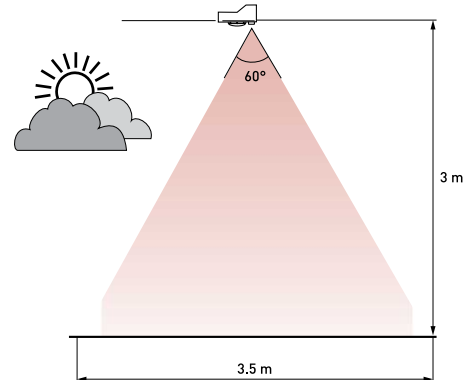
Key Features

- PIR, constant light and infrared control.
- Easy-to-select application modes.
- Clip-on fascia in different colours.
- Clip-on PIR restrictor.
- Remote control and manual control.
- Compatible with Helvar's lighting system design and control software (Designer and Toolbox).

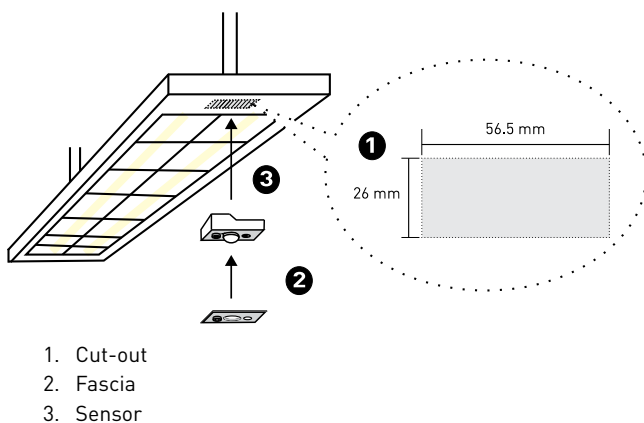
PIR Coverage



Constant Light Coverage

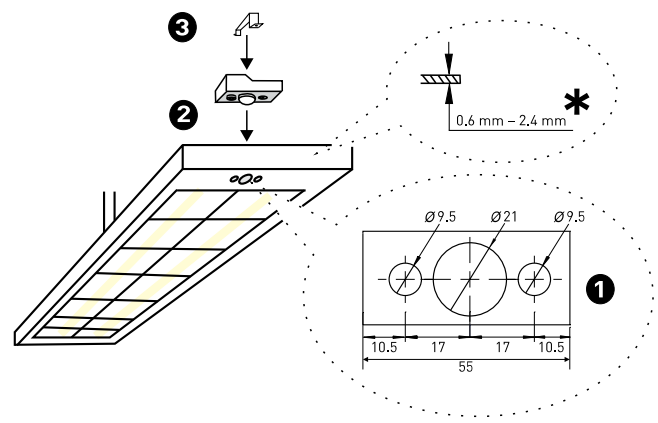


Typical mounting: with fascia



1. Cut-out
2. Fascia
3. Sensor

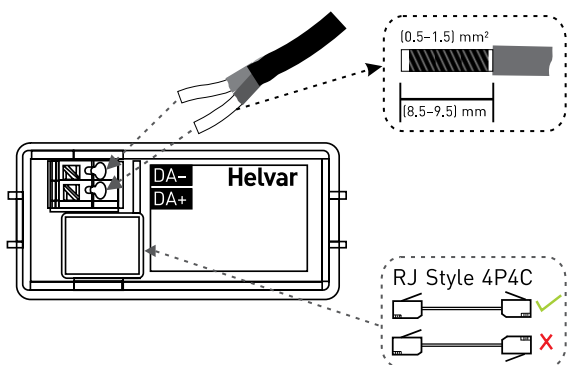
Alternative mounting: without fascia



1. Cut-out
2. Sensor
3. Fixing Bracket

*: Recommended housing thickness

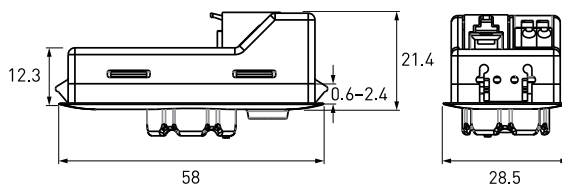
Connections



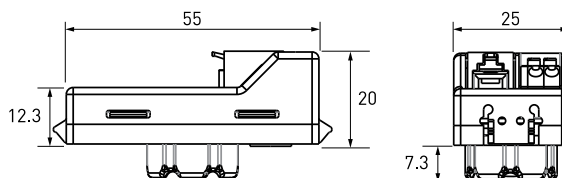
! Note: To remove DALI wiring, always press down on the push wire connector clips.

Dimensions (mm)

iDim Sense with fascia



iDim Sense without fascia



Technical Data

Connections	
DALI:	Wire size: 0.5 mm ² – 1.5 mm ² Solid, flexible or stranded Strip length: 9 mm
iDim Solo:	RJ Style 4P4C crossover (max. 3 m) Accessory cable available
Power cable rating:	All cables must be mains rated.

Electrical data	
DALI consumption:	10 mA

Sensors	
Light sensor:	For constant light functions
Presence detector:	PIR: Passive infrared presence detector
Infrared receiver:	For remote control commands

Remote control functions	
Infrared remote control:	Modify preset light levels (constant light or fixed light)
	Scene store and recall
	Activate special test functions

Operating conditions	
Ambient temperature:	+10 °C to +50 °C
Relative humidity:	Max. 90 %, noncondensing
Storage temperature:	-25 °C to +75 °C
Illuminance:	5 lx – 5000 lx

Mechanical data	
Dimensions:	55 mm × 25 mm × 20 mm (without fascia). See diagram. 58 mm × 28.5 mm × 21.4 mm (with fascia). See diagram.
Recommended luminaire thickness:	0.6 mm – 2.4 mm
Material (casing):	Fire-retardant polycarbonate
Colour:	iDim Sense: Grey (RAL 9006) iDim Fascia: White (RAL 9016) or Grey (RAL 9006)
IP code:	IP30
Weight:	15 g

Conformity and standards	
Conformity:	
EMC Emission:	EN 55015
EMC Immunity:	EN 61547
Safety:	EN 61347-2-11
Isolation:	Double isolated
Environment:	Complies with WEEE and RoHS directives.