

(403) iDim Solo Interface Module



The iDim Solo is an interface module that connects the iDim Sense (316 Standalone), iDim ballasts and user interfaces. Additionally, it can be used as a DALI power supply unit (PSU).

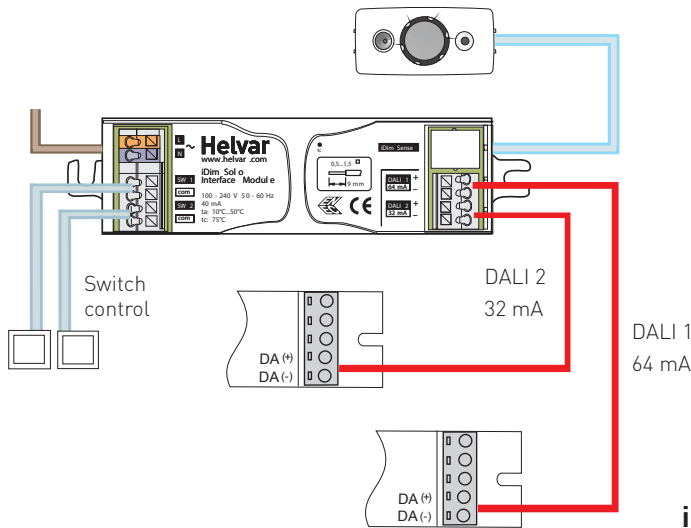
The unit is housed in a standard ballast-style enclosure, making it fast and easy to assemble.

Key Features

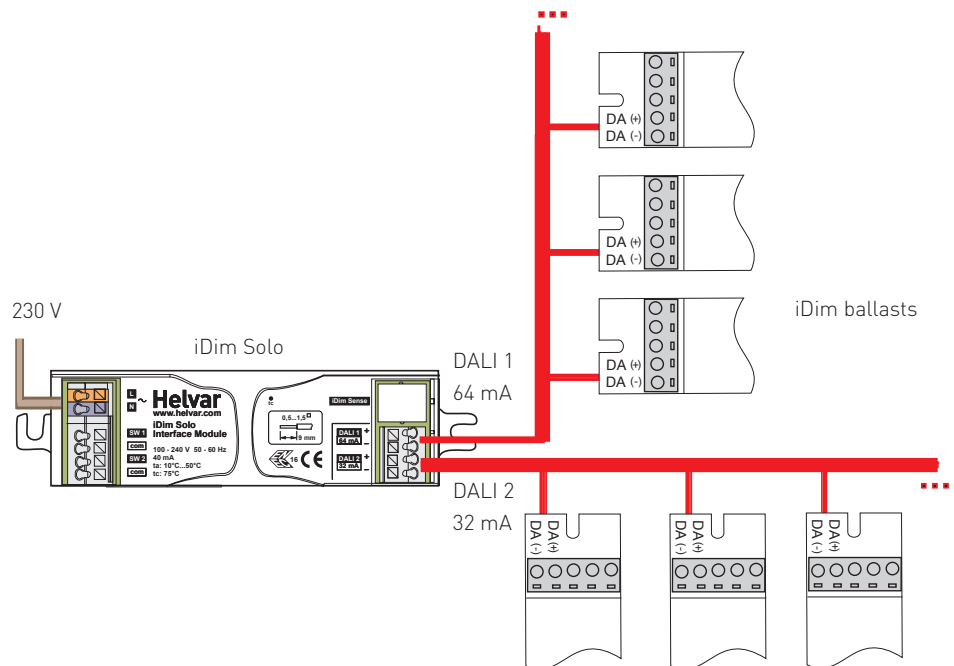
- Power capability: 64 mA [DALI 1], 32 mA [DALI 2] or 96 mA when operating in parallel
- 2 × DALI outputs
- 2 × switch control inputs
- iDim Sense connection (RJ style, 4P4C)
- Mains connection



iDim Solo as an interface module



iDim Solo as a power supply unit (PSU)



Technical Data

Connections

Mains / DALI / Switch control: Wire size: 0.5 mm² – 1.5 mm² solid, flexible or stranded.
Strip length: 9 mm.

iDim Sense: RJ Style 4P4C crossover (max. 3 m)
Accessory cable available.

Cable rating: All cables must be mains rated.

Power supply

Mains supply: 100 VAC – 240 VAC, 50 Hz – 60 Hz (nominal);
85 VAC – 264 VAC, 45 Hz – 65 Hz (absolute)

Supply current: 40 mA

Protection: Internally resettable fuse (PTC)

Inputs

Override (OVR): 2 × switch control (in combination with iDim Sense), max. length 50 m

Outputs

DALI 1: 16 V nominal @ 2 mA to 64 mA

DALI 2: 16 V nominal @ 2 mA to 32 mA
Note: Minimum 2 mA load required on one output only.

Mechanical data

Dimensions: 121 mm × 30 mm × 21 mm (incl. screw clips)

Material: Flame retardant polycarbonate

Colour: White (RAL 9016)

Weight: 40 g

Isolation: 3 kV

IP code: IP30

Operating conditions

Ambient temperature: +10 °C to +50 °C

Relative humidity: Max. 90 %, noncondensing

Storage temperature: –25 °C to +75 °C

Conformity and standards

EMC emission: EN 55015

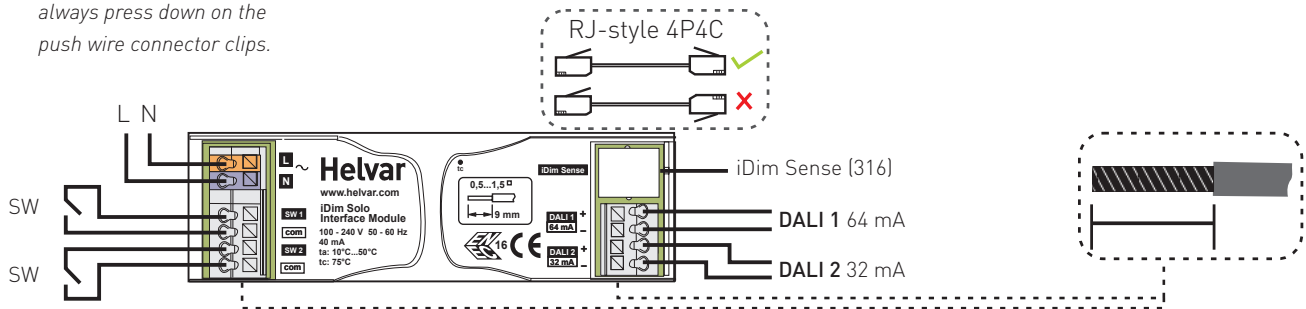
EMC immunity: EN 61547

Safety: EN 61347

Environment: Complies with WEEE and RoHS directives.

Connections

Note: To remove DALI wiring, always press down on the push wire connector clips.



Dimensions (mm)

