

## Occupancy Detector Interface (441)

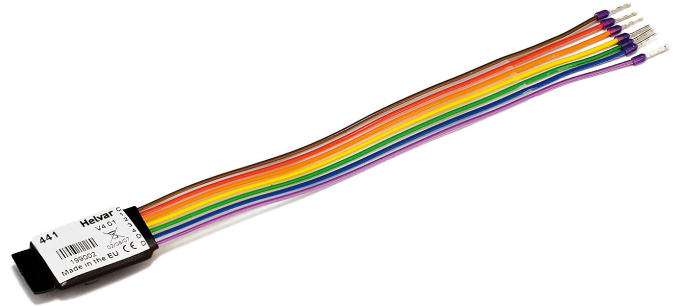


The 441 Occupancy Detector Interface allows connection of a customer-specified occupancy sensor to a DIGIDIM-DALI system. The input accepts a volt-free, normally closed contact. The prewired encapsulated circuit board is intended for mounting inside the wiring space of the sensor.

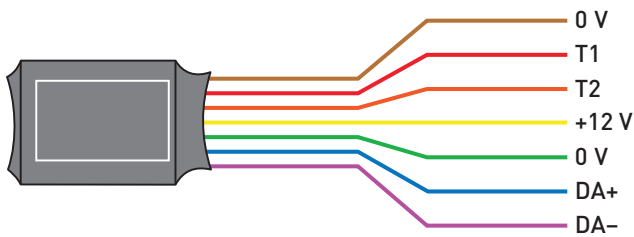
The 441 also includes a 12 V DC supply (15 mA max.) to power the sensor.

### Key Features

- Fits into the wiring space inside the sensor.
- Input for normally closed (NC) volt-free switch compatible with security sensors.
- Fully programmable using Toolbox and Designer software.
- Compatible with Helvar iDim range, functioning as a PIR extension sensor.



### Default Functions



Connection	Cable Colour
0 V	Brown
T1	Red
T2	Orange
+12 V	Yellow
0 V	Green
DA+	Blue
DA-	Violet

## Technical Data

### Voltage-free switched inputs

**Connections:** 0 V input ground.  
1 sensor input (normally closed).  
2 for future use. Do not connect.

**Voltage at T1:** 5 V nominal with input open,  
must be less than 1 V closed.

**Overload protection:**  $\pm 7$  V

**Short-circuit current:** 1 mA max.

**Debounce period:** 50 ms

### Connections

**DALI/switch/power:** Ribbon cable terminated with  
7 ferrules  
Ferrule pin  $\varnothing$  1.2 mm  
*Note: To avoid interference  
problems, the connections must  
not be increased in length.*

### Power

**Sensor supply:** 12 V @ 15 mA max. (nonisolated)  
0 V supply, common to input 0 V

**DALI consumption:** 10 mA + sensor supply mA  
 $\leq 25$  mA max.

### Mechanical data

**Dimensions:** 50 mm  $\times$  20 mm  $\times$  10 mm

**Weight:** 12 g

**IP code:** IP20

### Operating conditions

**Ambient temperature:** 0 °C to +50 °C

**Relative humidity:** Max. 90 %, noncondensing

**Storage temperature:** -10 °C to +70 °C

### Conformity and standards

**EMC emission:** EN 55015

**EMC immunity:** EN 61547

**Safety:** EN 60950

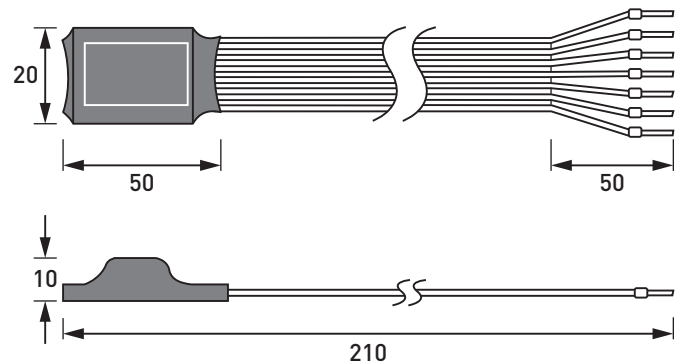
**Environment:** Complies with WEEE and RoHS  
directives.

### Software compatibility

**Designer:** 4.1 or later

**Toolbox:** 2.2.12 or later

### Dimensions (mm)



### Typical Connection to Occupancy Sensor

