

# 445 Switch Interface Unit with LED Tellback

The Digidim 445 is a compact interface unit that allows the connection of third-party switches or button panels to a Helvar lighting control system.

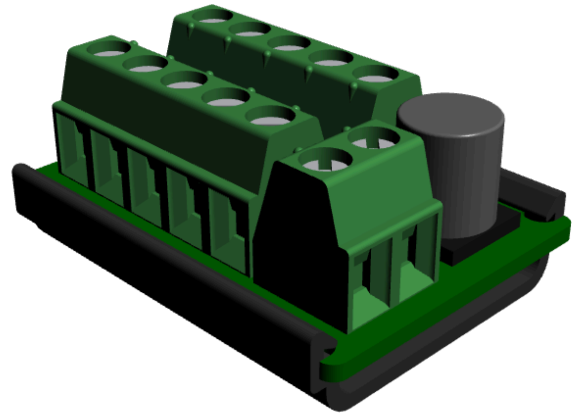
The unit provides four switch inputs for use with volt-free contacts, and four LED outputs for indicator LEDs.

The unit provides four switch inputs for use with volt-free contacts, and four LED outputs for indicator LEDs.

Connections to the unit are via screw terminals.

The compact design means that the unit can be mounted within a third-party switch/button module or back box.

The unit is fully compatible with Helvar lighting control systems, and its operation is configured using Helvar Toolbox or Designer software.



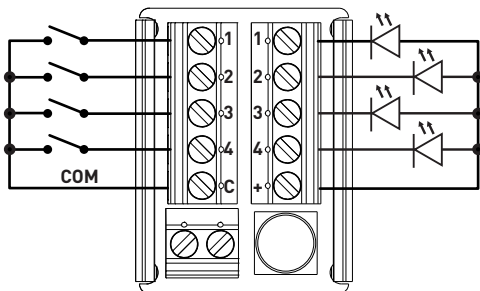
## Key Features

- Compact design
- 4 switch inputs
- 4 LED outputs
- Powered from DALI network

## Connections

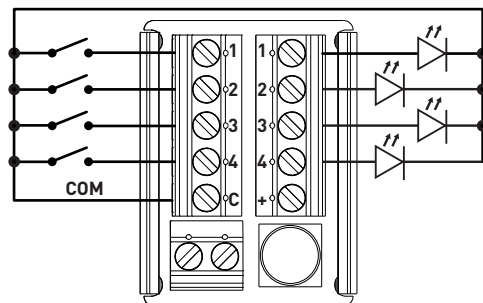
### Common anode

(Default 'LED type' setting)

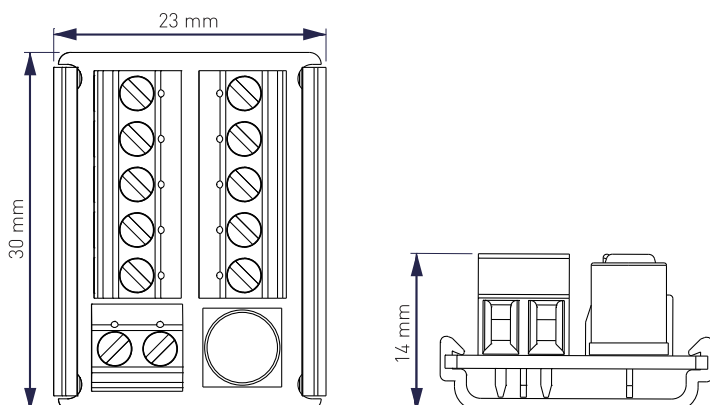


### Common cathode

(Set 'LED Type' to 'Common cathode' in Toolbox or Designer software.)



## Dimensions (mm)



## Technical Data

### Connections

Inputs:	4 inputs COM input ground
Overload protection:	± 7 V
Short-circuit current:	0.5 mA max
Debounce period:	50 ms
Voltage-free switched inputs:	5 V nominal with switch open, must be less than 0.3 V with switch closed.
Isolation:	No isolation from DALI network: switches must provide user protection.
LED output:	5 V source, 1 kΩ source impedance

### Electrical data

DALI supply output:	None (Use external DALI power supply)
DALI consumption:	15 mA

### Cable requirements

Wire size:	Up to 1.5 mm <sup>2</sup>
Strip length:	5 mm

### Maximum wire length

Switch inputs:	0.5 m
LED driver outputs:	0.5 m
DALI:	300 m


### Operating and storage conditions

Ambient temperature:	0 °C to +40 °C
Relative humidity:	Max. 90 %, noncondensing
Storage temperature:	-10 °C to +70 °C

### Mechanical data

Dimensions:	30 mm × 23 mm × 14 mm
Connector screws:	M2 (screwdriver blade 0.4 mm × 2.5 mm)
IP rating:	IP00

### Conformity and standards

Conformity:	
EMC emission:	EN 55015
EMC immunity:	EN 61547
Safety:	EN 61347-2-11-1
Environment:	Complies with WEEE and RoHS directives.