

8-Channel Universal Dimmer Module (458/UNI8)

The 458/UNI8 is an eight-channel transistor dimmer module for leading or trailing edge dimming.

It is compatible with all common load types: inductive, capacitive and resistive.

The unit incorporates a number of novel features that provide 'first-class' performance when dimming modern LED lamps. This includes both mains dimmable retrofit lamps and LED drivers.

The module's eight channels can be individually selected as leading or trailing edge, and are rated at 6 A each.

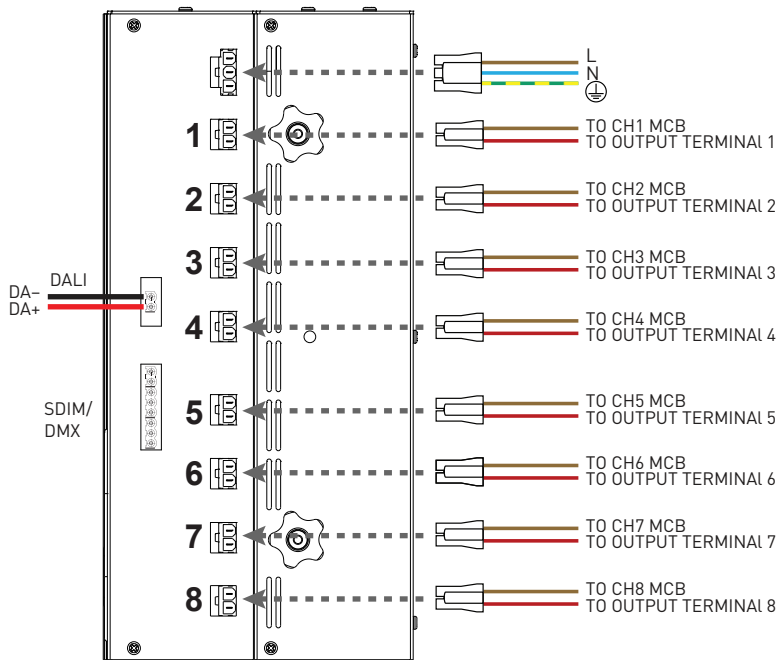
The module has a DALI and an SDIM/DMX interface, and therefore can be fully integrated into a standalone DALI, a DIGIDIM, an Imagine router or a DMX system.



Key Features

- Module plugs into any 458 mechanical chassis
- LCD display screen with navigation keys
- DALI/SDIM/DMX
- Active bottom load

Connections



Technical Data

Connections

DALI: Wire section: 0.5 mm² – 2.5 mm².
Recommended: 1.0 mm² – 1.5 mm².
Max. length: 300 m @ 1.5 mm².
DALI cables must be mains rated.

SDIM/DMX: 0.22 mm² – 1.5 mm² low loss RS485 type (multi-stranded, twisted and shielded)

Override (OVR): 0.5 mm² – 1.5 mm² (twisted)
Max. length: 50 m

Power

Mains supply: 100 VAC – 240 VAC (nominal)
85 VAC – 264 VAC (absolute)
45 Hz – 65 Hz

Power consumption: 6 W (excluding loads)

Power circuit protection: 6 A max. external protection, earth mandatory

Isolation: Between mains supply, DALI and SDIM/DMX/Override connectors.

Standby power: No Standby mode

Max. total losses: 70 W

DALI consumption: 2 mA

Load

Load current: 48 A (max.)

Minimum load: No minimum load

Maximum load: 8 × 6 A

Output regulation: Automatic compensation for supply voltage and frequency variations

Protection

Load protection: Refer to 458Mx Installation Guide.

Active bottom load: Resettable fuse (PTC protection)

Thermal protection: Control board – resettable fuse, power devices – thermal sensing

Inputs

Control: DALI, SDIM or DMX

Override (OVR): Wired override input

User interface: Control panel: 5 push buttons and LCD screen for configuration.

Mechanical data

Dimensions: 105 mm × 360 mm × 170 mm

Material: Housing: Powder coated steel (black).
Heatsink: Anodised aluminium.

Mounting: Attached to 458M1, 458M2, or 458M3 chassis

Weight: 3.9 kg

IP code: IP20

Operating conditions

Ambient temperature: 0 °C to +40 °C

Relative humidity: Max. 90 %, noncondensing

Storage temperature: -10 °C to +70 °C

Conformity and standards

DALI data transfer: DALI standard IEC 62386, with Helvar extensions

SDIM data transfer: Helvar protocol (RS485, 115 kbps)

DMX data transfer: DMX512-A protocol (max. refresh rate: 33 Hz)

EMC emission: EN 55015

EMC immunity: EN 61547

Harmonics: EN 61000-3-2*
* Professional equipment. Total rated power > 1 kW.

Safety: EN 60950-1

Environment: Complies with WEEE and RoHS directives.

Configuration software

Designer version: 4.2.18 or higher

Toolbox version: 2.3.3 or higher

Dimensions (mm)

