

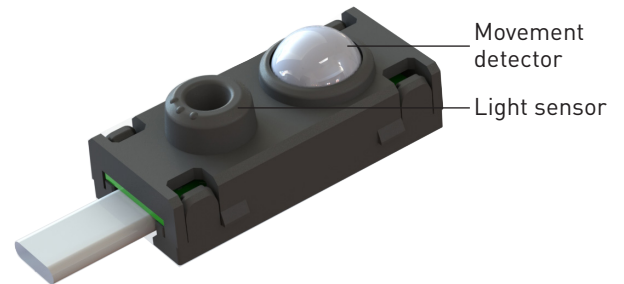
Active+ Sense (T3020)

The Active+ Sense is a small luminaire-based sensor that combines a photocell for constant light control and a passive infrared presence detector.

This standalone unit is to be used with Helvar's Active+ range of intelligent lamp control gear.

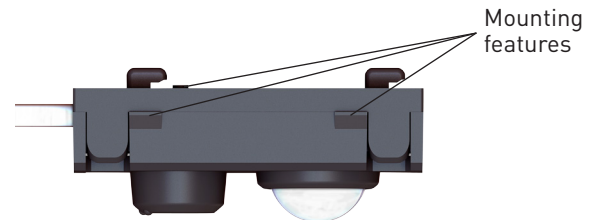
The Active+ Sense is attached to a flexible connection cable terminated with a keyed connector that plugs into an Active+ control gear. The cable can exit the sensor either in line with the enclosure (side exit) or perpendicular to it (bottom exit).

If the sensor is connected to non-SELV control gear, the luminaire must be Class I.

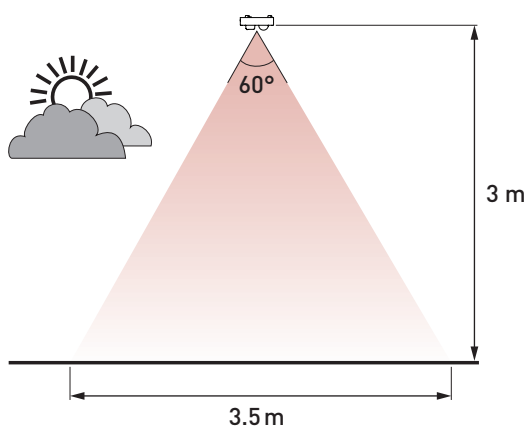


Key Features

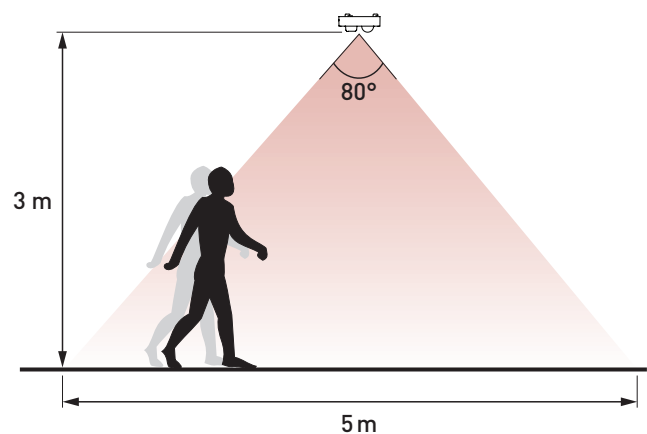
- Small and inconspicuous, it does not change the appearance of the luminaire.
- Provided with mounting features that can be snapped into sheet metal: two on each long side, and two on the rear.
- Part of the Active+ range of products from Helvar, which provide simple, out-of-box energy saving functionality.



Constant Light Coverage



Presence Detection Coverage



Technical Data

Connections

Active+: 80 cm flexible cable terminated with a four-way, 2 mm keyed connector
Note: If the sensor is connected to non-SELV control gear, the luminaire must be Class I.

Mechanical data

Dimensions: 32.4 mm × 15.5 mm × 14.5 mm
Material (casing): Fire-retardant polycarbonate
Colour: Grey (RAL 7016): Order code T3020
 White (RAL 9003): Order code T302001
IP code: IP30
Weight: 22 g

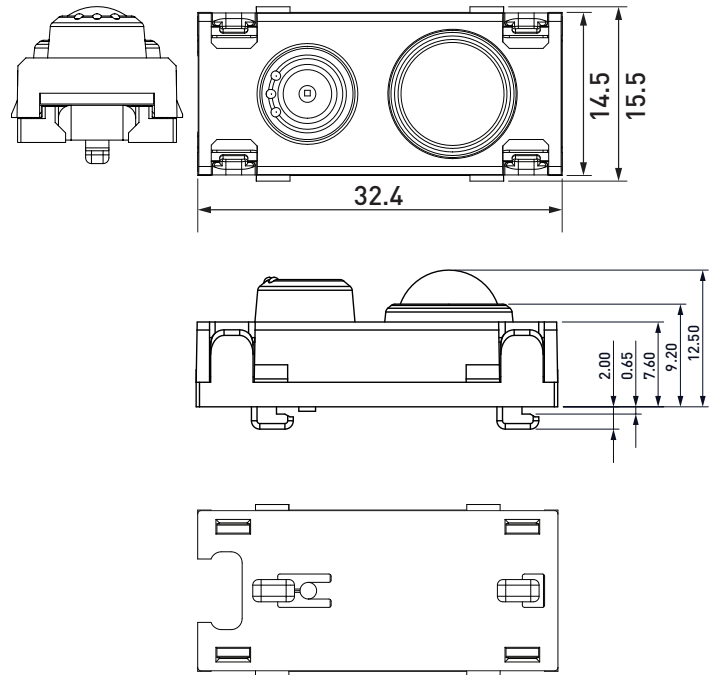
Operating conditions

Ambient temperature: -20 °C to +50 °C
Note: The temperature difference between the detection target and the background must be at least 4 °C.
Relative humidity: Max. 90 %, noncondensing
Storage temperature: -40 °C to +80 °C
Illuminance: 5 lx to 5000 lx

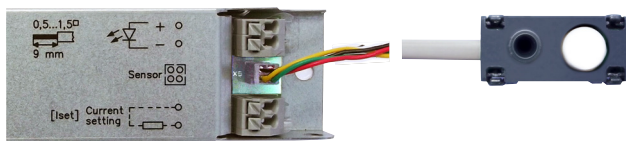
Conformity and standards

EMC Emission: EN 55015
EMC Immunity: EN 61547
Safety: EN 61347-2-11
Environment: Complies with RoHS directive.

Dimensions (mm)



Connection



Mounting

