

Active+ / freeDim Sense: Circular holder

Sensor Accessory Series

- Accessory for mounting the Active+ Sense or freeDim Sense sensor to the ceiling
- Easy installation
- Suitable for flush mounting
- Sturdy structure, internal strain relief
- Available in white (3098100) or grey (3098000)



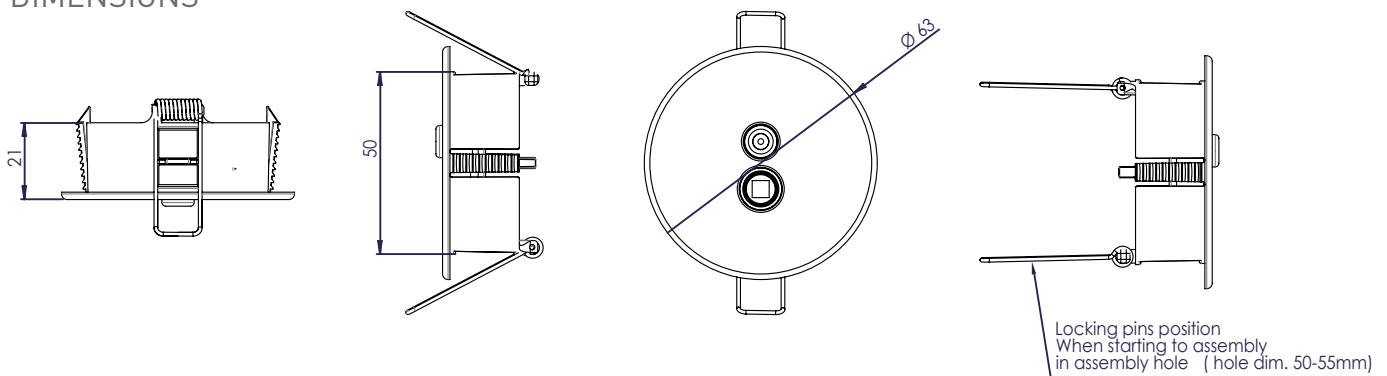
PACKAGE CONTENTS

One set of Active+ Sense: Circular holder accessory kit consists of the following parts:

- Sensor holder
- Strain relief part
- Locking springs, 2 pieces

The circular sensor holders are packed in bags of 10 holder sets each.

DIMENSIONS



Tolerance for dimensions $\pm 0,2$ mm

MATERIALS AND CONDITIONS

Material Specifications

| | |
|--|---|
| Material type | Polycarbonate |
| Fire retardant | Yes |
| UV protected | Yes |
| Colour | White, RAL 9016 as default Product code 3098100 Grey, RAL 9006 on request Product code 3098000 |
| Glow-wire flammability test (GWFI) passed at | 900 °C (IEC 60695-2-12) |

Operating & Storage Conditions

| | |
|---|--------------|
| Ambient temperature range | -20...+50 °C |
| Storage temperature range | -40...+80 °C |
| Do not store in wet or humid environment! | |

Without any additional sealing, holder itself cannot be used to provide higher classification against ingress of dust or moisture than IP30.

Conformity & Standards

| | |
|---|--|
| Luminaires - Part 1: General requirements and tests | IEC 60598-1:ed.8 2014 EN 60598-1:2015 |
|---|--|

Compliant with relevant EU directives, CE marked, RoHS/REACH compliant

ASSEMBLY INSTRUCTIONS

Please refer to separate Installation guide, available on product website's Download & Links section, for instructions of how to mount the Active+/freeDim Sense sensors to the housing and the housing to the ceiling.