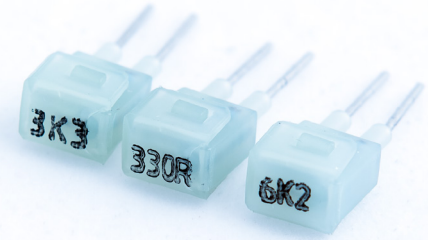


Current setting resistors

- Plastic-encased and robust resistors for adjusting the LED driver current output
- Compact size to fit inside strain reliefs
- Basic isolated
- Rated power of 0.6 W with 1 % tolerance
- Designed for Helvar LED drivers with Iset current setting resistor interface
- Suitable for any LED driver with adjustable current by resistor of specific resistance

0.6 W, 1 %



Helvar Iset current setting resistors are high-quality plastic-encased resistors. They enable the simple adjustment of output current in LED drivers supporting current setting by resistors.

Iset resistor models

Resistor	Order code	Label text	Resistance*
Iset resistor 47R	T70470	47R	47 ohm
Iset resistor 220R	T70221	220R	220 ohm
Iset resistor 270R	T70271	270R	270 ohm
Iset resistor 330R	T70331	330R	330 ohm
Iset resistor 470R	T70471	470R	470 ohm
Iset resistor 680R	T70681	680R	680 ohm
Iset resistor 820R	T70821	820R	820 ohm
Iset resistor 1K	T70102	1K	1000 ohm
Iset resistor 1K2	T70122	1K2	1200 ohm
Iset resistor 1K5	T70152	1K5	1500 ohm
Iset resistor 2K2	T70222	2K2	2200 ohm
Iset resistor 2K43	T72431	2K43	2430 ohm
Iset resistor 2K49	T72491	2K49	2490 ohm
Iset resistor 2K55	T72551	2K55	2550 ohm
Iset resistor 2K61	T72611	2K61	2610 ohm
Iset resistor 2K67	T72671	2K67	2670 ohm
Iset resistor 2K74	T72741	2K74	2740 ohm
Iset resistor 2K8	T70282	2K8	2800 ohm
Iset resistor 2K87	T72871	2K87	2870 ohm
Iset resistor 2K94	T72941	2K94	2940 ohm
Iset resistor 3K01	T73011	3K01	3010 ohm
Iset resistor 3K09	T73091	3K09	3090 ohm
Iset resistor 3K16	T73161	3K16	3160 ohm

Resistor	Order code	Label text	Resistance*
Iset resistor 3K24	T73241	3K24	3240 ohm
Iset resistor 3K3	T70332	3K3	3300 ohm
Iset resistor 3K32	T73321	3K32	3320 ohm
Iset resistor 3K4	T70342	3K4	3400 ohm
Iset resistor 3K48	T73481	3K48	3480 ohm
Iset resistor 3K9	T70392	3K9	3900 ohm
Iset resistor 4K7	T70472	4K7	4700 ohm
Iset resistor 4K99	T74991	4K99	4990 ohm
Iset resistor 5K23	T75231	5K23	5230 ohm
Iset resistor 5K6	T70562	5K6	5600 ohm
Iset resistor 5K9	T70592	5K9	5900 ohm
Iset resistor 6K2	T70622	6K2	6200 ohm
Iset resistor 6K65	T76651	6K65	6650 ohm
Iset resistor 6K8	T70682	6K8	6800 ohm
Iset resistor 7K68	T77681	7K68	7680 ohm
Iset resistor 8K2	T70822	8K2	8200 ohm
Iset resistor 8K25	T78251	8K25	8250 ohm
Iset resistor 9K09	T79091	9K09	9090 ohm
Iset resistor 10K	T70103	10K	10 000 ohm
Iset resistor 11K	T70113	11K	11 000 ohm
Iset resistor 12K	T70123	12K	12 000 ohm
Iset resistor 12K4	T71242	12K4	12 400 ohm
Iset resistor 18K	T70183	18K	18 000 ohm
Iset resistor 0 Ohm	T70000	0R	0 ohm

* ± 1 % resistance tolerance

Plastic casing specifications

Material	Polyamide 66 resin
Glow-wire flammability test (GWFI) passed at	850 °C (IEC 60695-2-12)

Resistor specifications

Resistance tolerance	± 1 %
Rated power	0.6 W
Working voltage up to	350 VAC/VDC

Insulation

Basic insulated

Operating & Storage Conditions

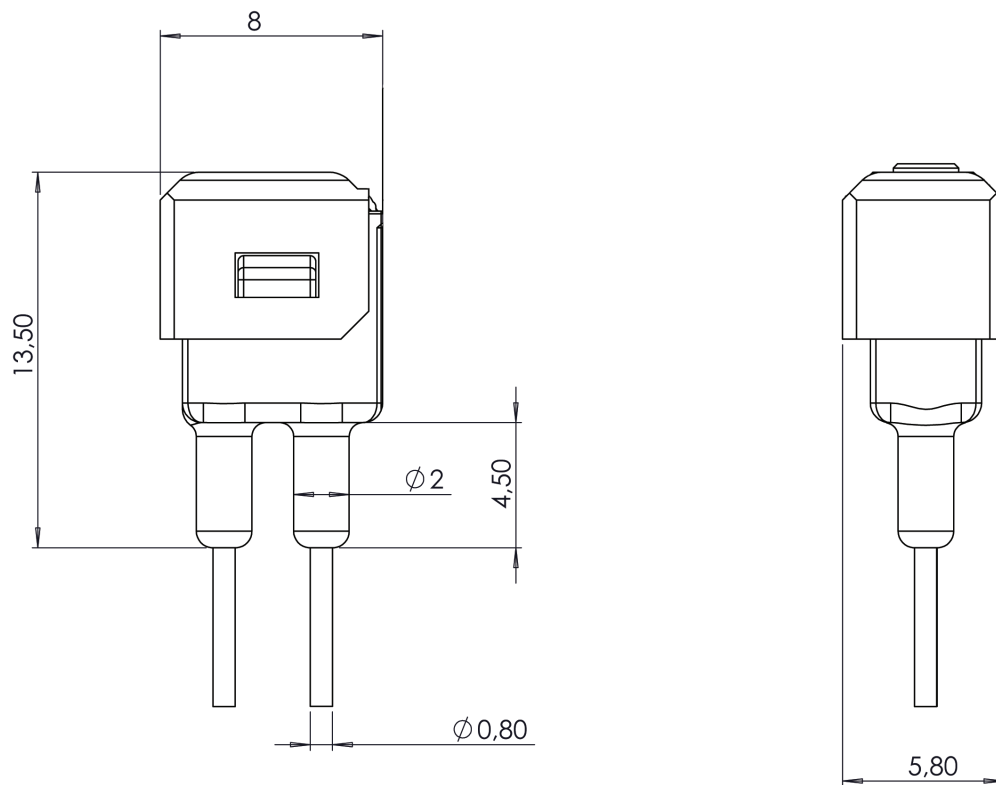
Operating temperature range	-20...+60 °C
Storage temperature range	-20...+80 °C

Do not store in wet or humid environment!

Resistor/current relation

In drivers with Iset current/resistance values, always refer to the current adjustment table in the datasheet of the product when choosing the Iset resistor with suitable resistance.

Dimensions



Iset current setting resistors are suited for built-in usage in drivers inside luminaires as well as independent use with suitable drivers installed with strain reliefs. In order to have safe and reliable operation, the LED luminaires will need to comply with the relevant standards and regulations (e.g. IEC/EN 60598-1). The luminaire manufacturer is responsible for the correct choice and installation of the Iset resistors resulting in a specific current, according to the application and product datasheets. Operating conditions of the Iset resistors may never exceed the specifications as per the product datasheet.

Installation & operation

Maximum temperatures:

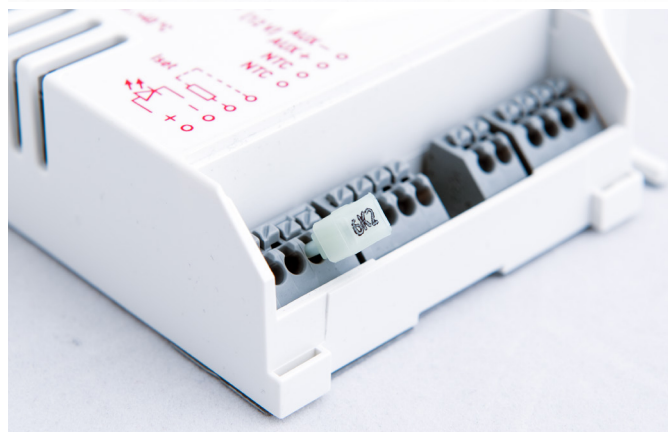
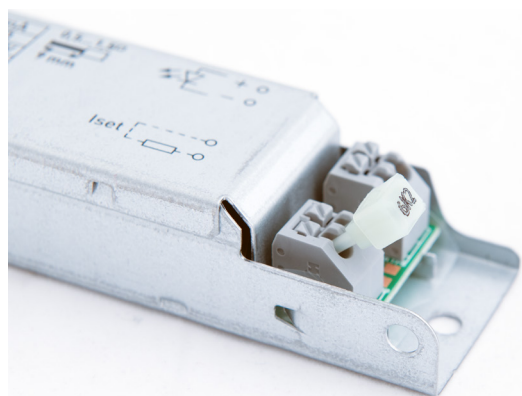
- Reliable operation and lifetime is only guaranteed if the maximum operating temperature is not exceeded under the conditions of use.

Installation considerations

- The Iset current setting resistors are intended to be used with LED drivers to adjust the desired output current.
- Always connect the current setting resistors only into the terminals marked with Iset / Rset on the LED driver label. Push the Iset resistors as far into the connectors as they fit.
- If the driver has multiple current output terminals and Iset resistor is used at the same time for current adjustment, please connect the load to the right output terminal dedicated for Iset current-setting functionality.

Conformity & standards

Compliant with relevant EU directives	
RoHS/REACH compliant	



Resistor selection considerations

- If the driver in case follows LEDset-specified current/resistor value, the use of Helvar LED-Iset resistors is possible too for easy selection of pre-adjusted currents from driver output.