

321, 321B, 321P, 321PB
MULTISENSOR



The Multisensor is a compact unit that combines a light sensor for constant light control and a passive infrared (PIR) presence detector to provide energy-saving functions in a DALI system.

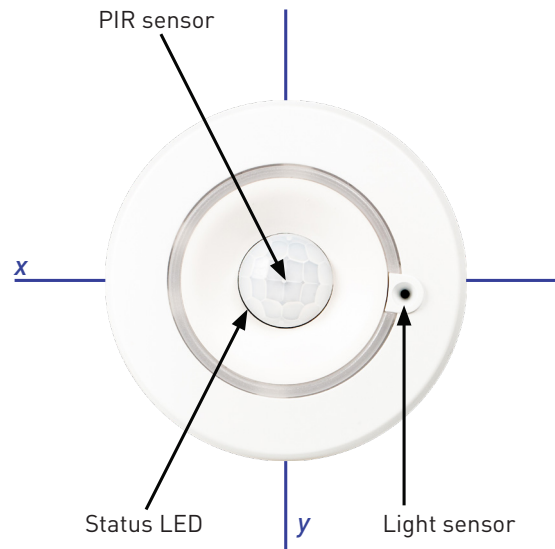
The light sensor measures reflected light from the surface directly beneath it. The unit uses this information to maintain a constant light level by adjusting the lamp outputs.

The PIR sensor enables the Multisensor to switch the lights on when its coverage area is occupied, and off when it is unoccupied.

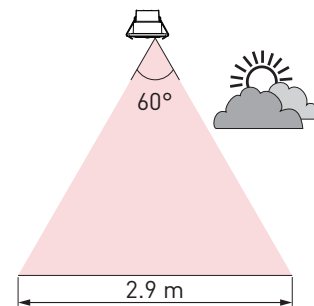
The sensor's settings are adjusted using Helvar's Designer or Toolbox software.

Due to its excellent detection performance, the Multisensor is especially suitable for applications where small or slow movements take place for extended periods of time, such as offices or classrooms. Since its detection sensitivity is less dependent on movement direction than that of most PIR sensors, fewer units are required to reliably cover a target area.

The unit can be mounted into a ceiling void or onto a solid surface using Helvar's SBB-C (white) or SBB-CB (black) mounting box (sold separately).



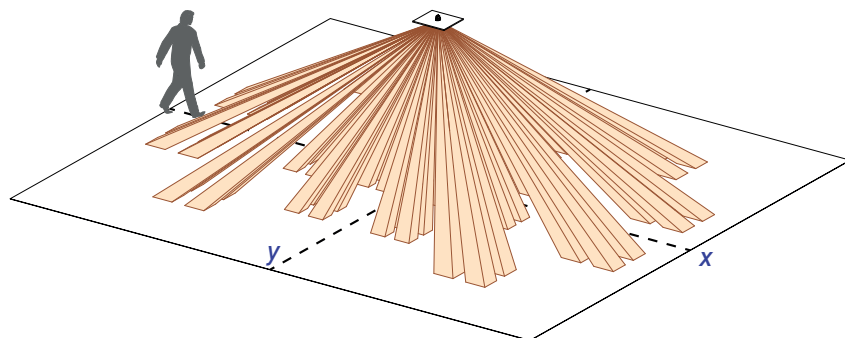
Constant Light Coverage at 2.5 m Height



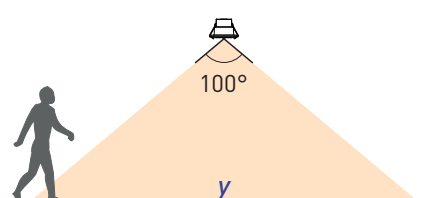
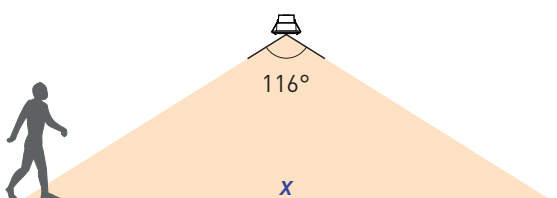
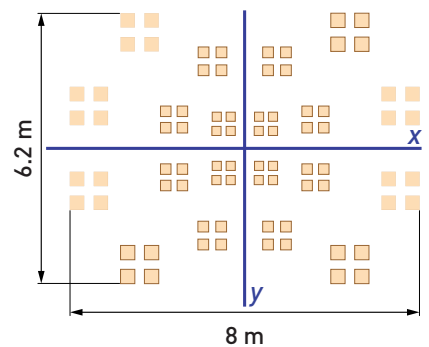
Key Features

- Excellent detection performance through high sensitivity and multidirectional coverage
- Programmable constant light control for energy efficiency
- 10 mA DALI current consumption
- Compact and functional design
- Programmable in Designer and Toolbox

Presence Detection Coverage at 2.5 m Height



Detection pattern at floor level for 2.5 m mounting height



Technical Data

Connections

| | |
|---------------|---|
| DALI: | Removable connector block |
| Wire section: | 0.5 mm ² – 1.5 mm ² solid or stranded |
| Cable rating: | All cables must be mains rated. |

Power

| | |
|--------------------|---------------|
| DALI supply input: | 13 V – 22.5 V |
| DALI consumption: | 10 mA |

Sensors

| | |
|--------------------|------------------------------|
| Light sensor: | For constant-light functions |
| Presence detector: | Passive infrared (PIR) |

Mechanical data

| | |
|-----------------------------------|--|
| Max. recommended mounting height: | 4 m |
| Presence detection coverage area: | 46 m ² @ 2.5 m mounting height |
| Mounting hole diameter: | 52 mm – 55 mm |
| Bezel diameter: | 66 mm |
| Recommended clearance depth: | 10 cm (with cable cover, incl. 5 cm for cabling) |
| Material (casing): | Nonflammable PC/ABS (UL94-V0) |
| Finish / Colour: | 321, 321P: Semi-matt / White RAL 9003 321B, 321PB: Semi-matt / Anthracite grey RAL 7016 |
| Weight: | 66 g |
| IP code: | 321, 321B: IP30 [IP20 cable cover] 321P, 321PB: IP65 |

Operating and storage conditions

| | |
|----------------------|--------------------------|
| Ambient temperature: | 0 °C to +50 °C |
| Relative humidity: | Max. 90 %, noncondensing |
| Storage temperature: | -10 °C to +70 °C |

Conformity and standards

| | |
|---------------|----------|
| EMC emission: | EN 55015 |
| EMC immunity: | EN 61547 |

Safety: EN 61347-2-11

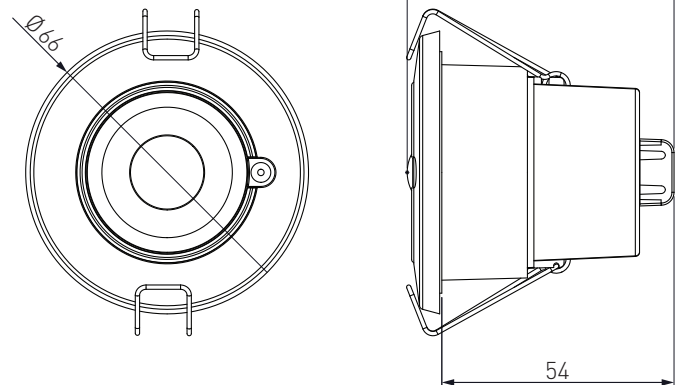
Environment: Complies with WEEE and RoHS directives.

Software compatibility

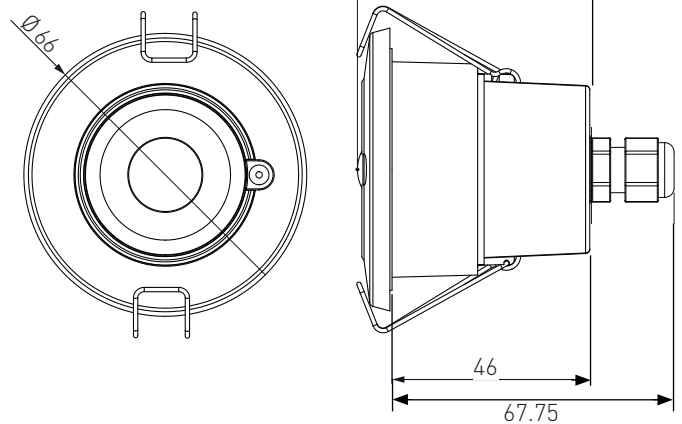
| | |
|-----------|----------------|
| Designer: | 5.4 or later |
| Toolbox: | 2.4.2 or later |

Dimensions (mm)

321, 321B



321P, 321PB



Connections

