

uSee Web Browser User Interface (8801)

The uSee Web Browser User Interface is a hardware and software platform that, used in conjunction with a Helvar router system, allows end users to monitor their energy usage and set scene levels via most web access devices, including PCs, tablets and smartphones (Android and iOS).



This platform puts the management of a lighting system in the hand of end users without any need for Designer programming knowledge. Its intuitive design allows end users to call up real-time energy usage reports in a few easy steps.

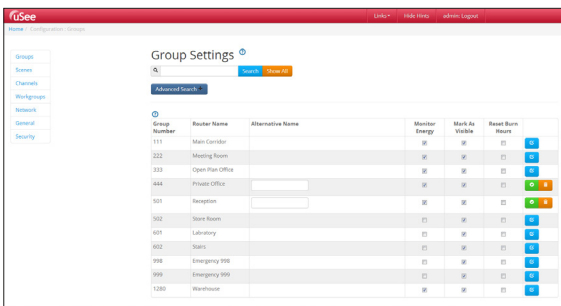
uSee automatically scans the Designer program settings of your lighting system and interprets them into plain language so that the people who use the system day to day can make adjustments to their scene setting levels and rename label fields to best suit their need.



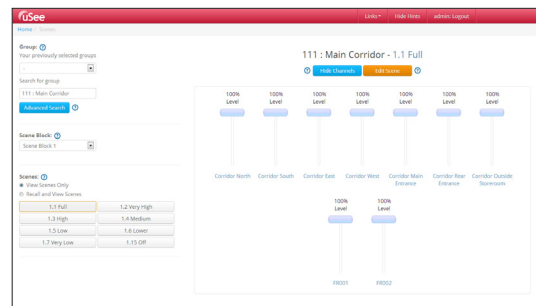
Key Features

- Connect via dedicated ethernet ports for router and client networks
- Control your lighting network from your PC, tablet, or smartphone.
- Easy to use, enabling scene level editing and recall without any programming experience.
- Monitor your energy usage and make money-saving adjustments.
- Simple fine-tuning of access and user settings.
- 12 VDC / 3 A, 36 W AC/DC power adaptor and 12 VDC, 30 W DIN-rail power supply unit (PSU), both included as part of code order.
- Screw connectors for desired cable length between uSee unit and PSU.

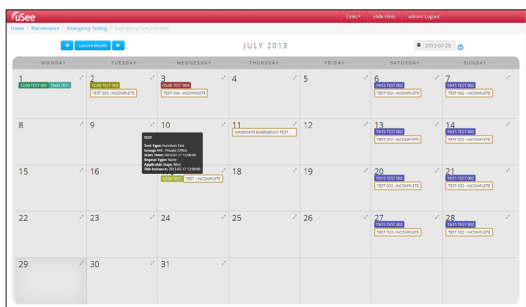
Group Settings



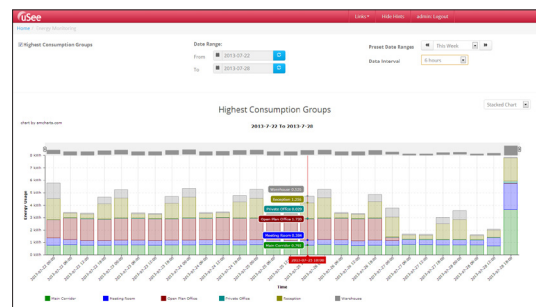
Scene Recall



Emergency Test Schedule



Energy Monitoring



Technical Data

System Limits

Recommended Size 15 routers or less

Max Size 30 routers

Power

Input voltage: Single 12 VDC \pm 10 %

Typical power consumption: 6 W

Connectivity

LAN 1: 10/100/1000 Mbps Intel I210 GbE. For router network.

LAN 2: 10/100/1000 Mbps Intel I210 GbE. For local computer network.

Wi-Fi (Ad-hoc connection): For commissioning only. Not suitable for Windows 10. Support Wi-Fi 802.11 a/b/g/n

I/O interface

HDMI: 2 \times lockable HDMI connectors, support up to 1920 \times 1080 at 60 Hz

USB interface: 2 \times USB 2.0 & 1 \times USB3.0

Mechanical data

Dimensions: 133.8 mm \times 43.1 mm \times 104 mm

Mounting: DIN rail (installation in switchgear/controlgear cabinet)

Weight: 0.8 kg

IP code: IP20

Operating and storage conditions

Ambient temperature: 0 $^{\circ}$ C to +40 $^{\circ}$ C

Relative humidity: Max. 90 %, noncondensing

Storage temperature: -40 $^{\circ}$ C to +85 $^{\circ}$ C

Conformity and standards

EMC emission: EN 55032

EMC immunity: EN 55024

Safety: EN 60950

Environment: Complies with WEEE and RoHS directives.

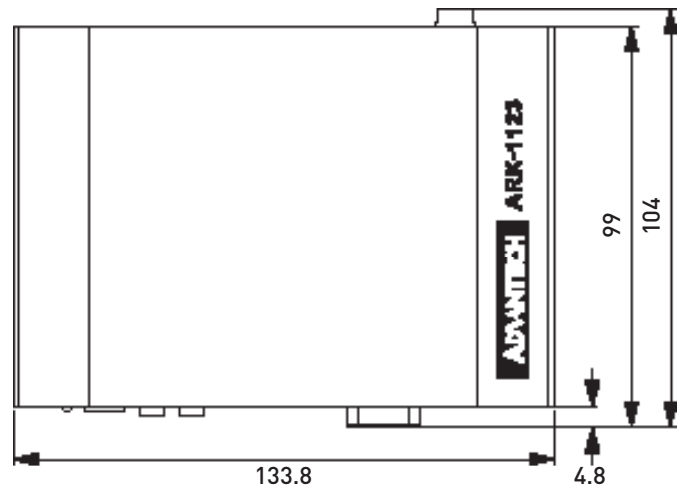
Access via Web Browser



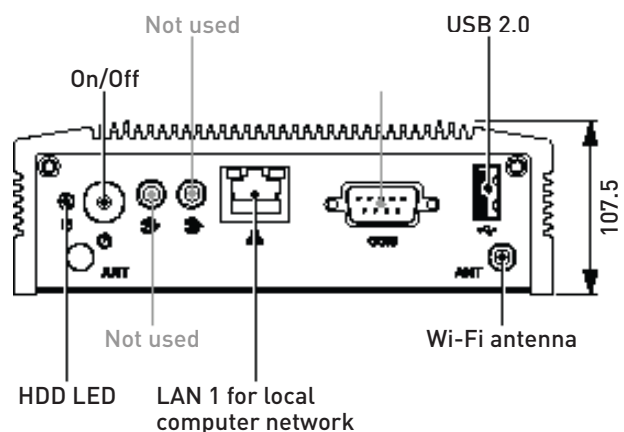
Order code

8801+HDR-30-12: uSee Web Browser User Interface with 12 VDC, 30 W DIN-rail PSU.

Dimensions (mm) and Connections



Front panel



Rear panel

