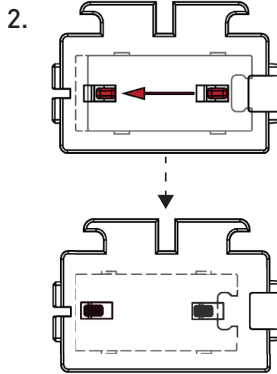
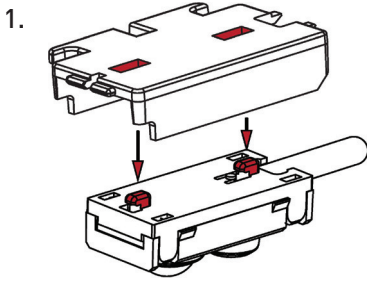
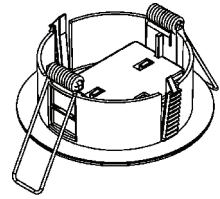
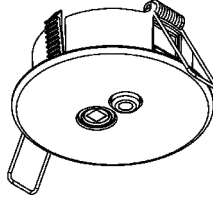
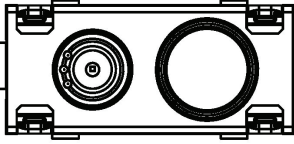


ActiveAhead Sense Circular Holder Installation Guide

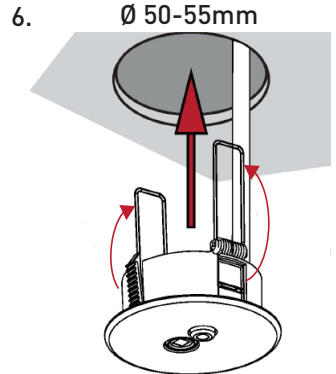
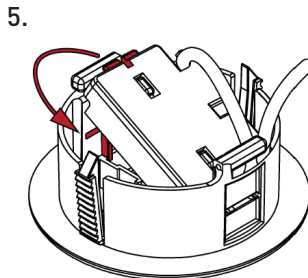
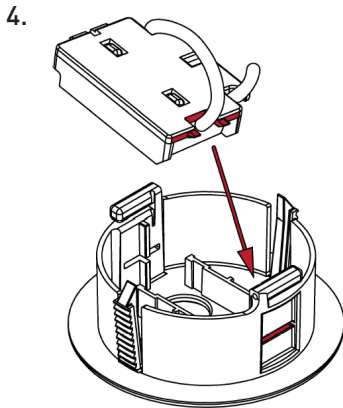
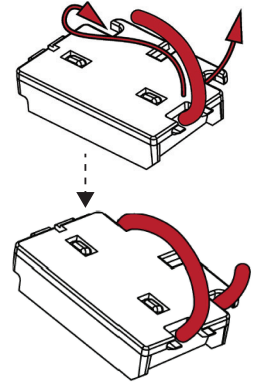


3020/3021 Active+ Sense Sensor

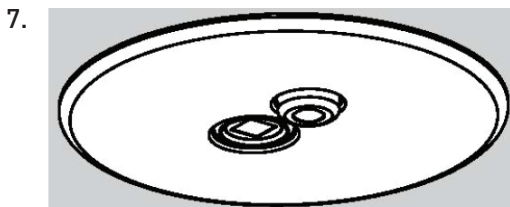
5692 ActiveAhead Sense Circular Holder



3. Strain relief for main wire.



Adjust springs to install unit correctly.



Ensure the unit sits flush to the ceiling.

