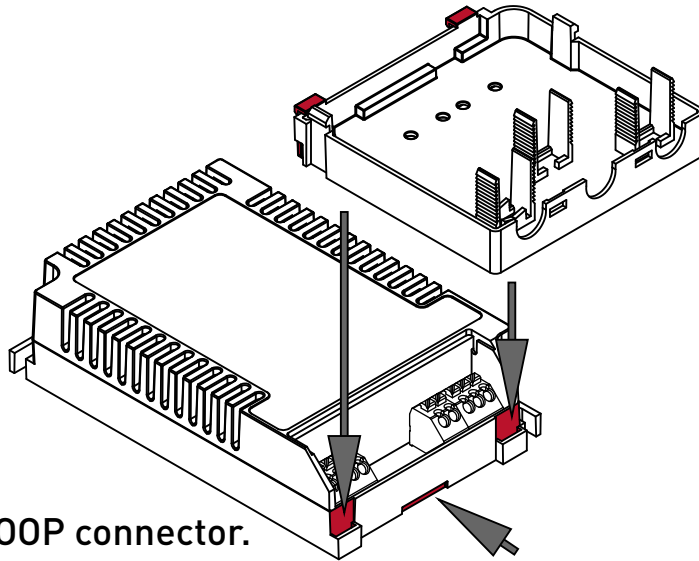


LC-SRB-LOOP-2WIRE Strain Relief Installation Guide

freedom in lighting

1. Lock the bottom part to the driver so that it clicks into place.

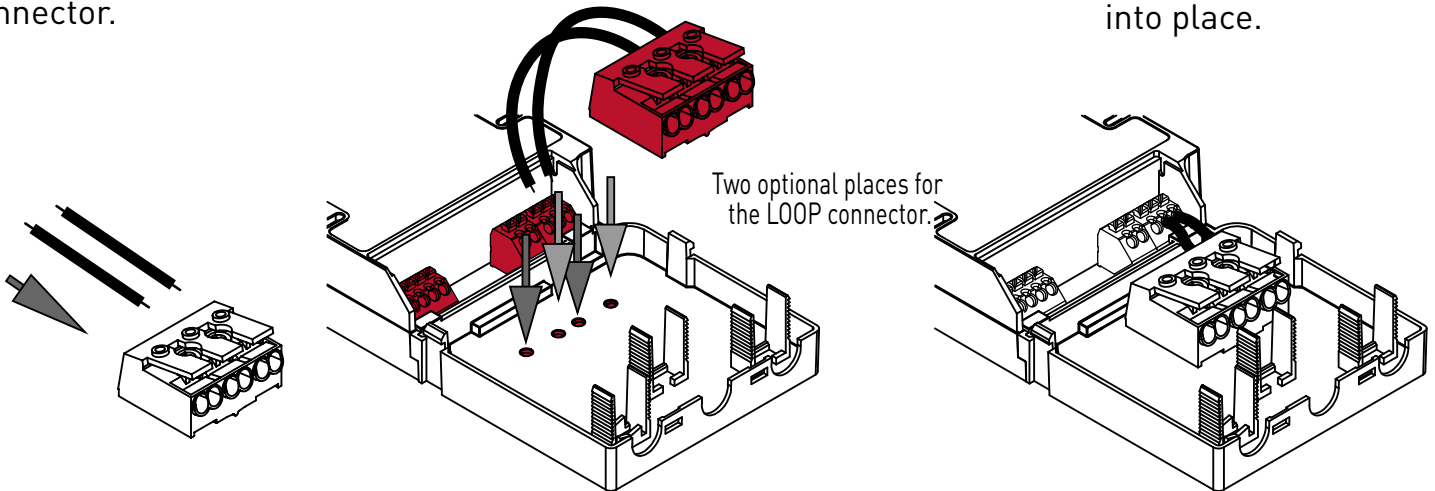


2. Connect the LOOP connector.

I. Connect the two short wires into LOOP connector.

II. Connect short wires from LOOP connector into correct terminals.

III. Lock the connector firmly into place.

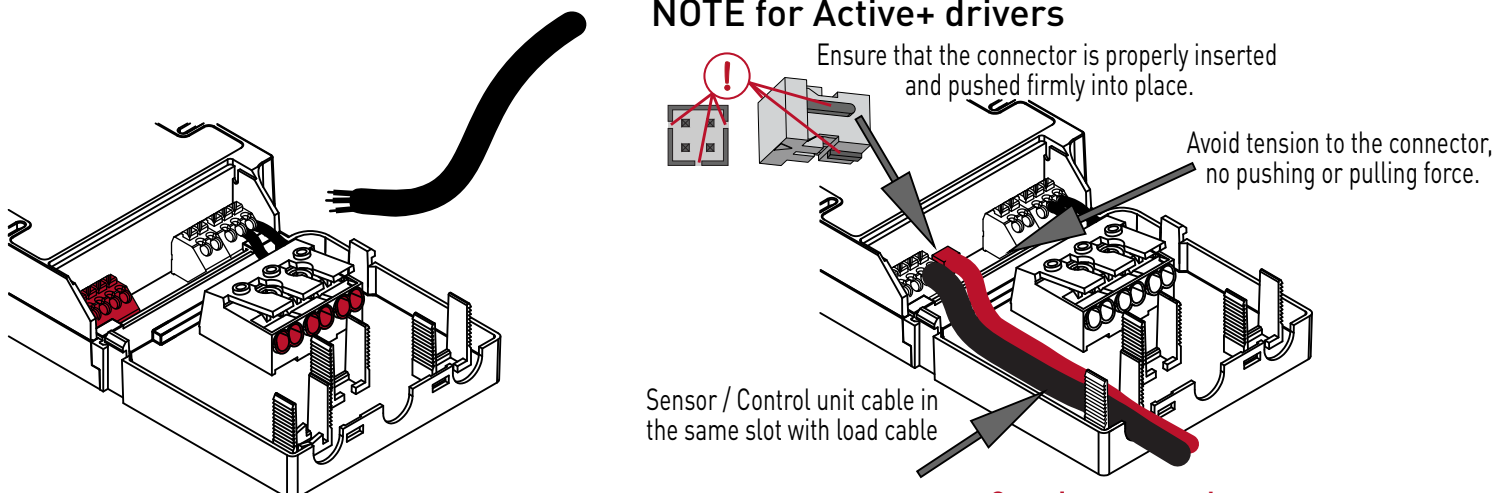


3. Connect wires into correct terminals according to driver datasheet instructions, both into LOOP connector and into LED load connector.

NOTE for Active+ drivers

Ensure that the connector is properly inserted and pushed firmly into place.

Avoid tension to the connector, no pushing or pulling force.



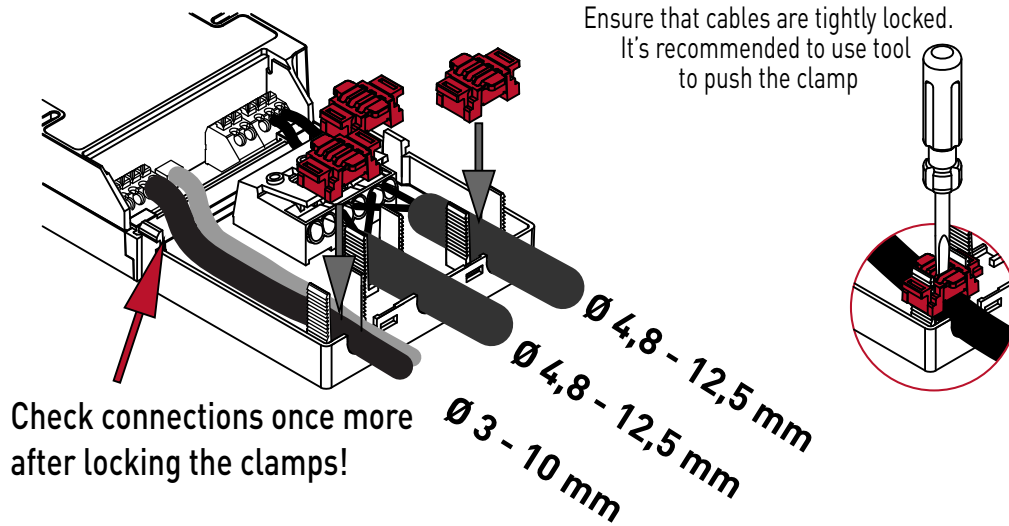
Continues on the next page

LC-SRB-LOOP-2WIRE

Strain Relief Installation Guide

freedom in lighting

4. Lock wires with the cable clamps.



5. Lock the cover on the bottom part.

