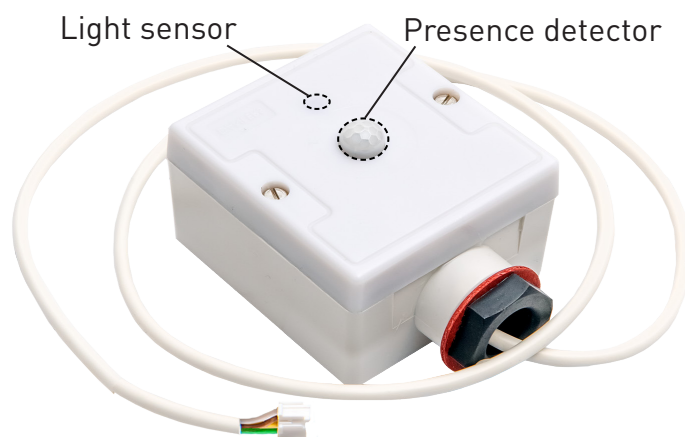


ActiveAhead Sense Outdoor (5632)



A member of the ActiveAhead family of continuously adaptive wireless lighting control solutions, the ActiveAhead Sense Outdoor is an IP65-rated, luminaire-based sensor that combines a passive infrared presence detector with a light sensor for daylight harvesting.

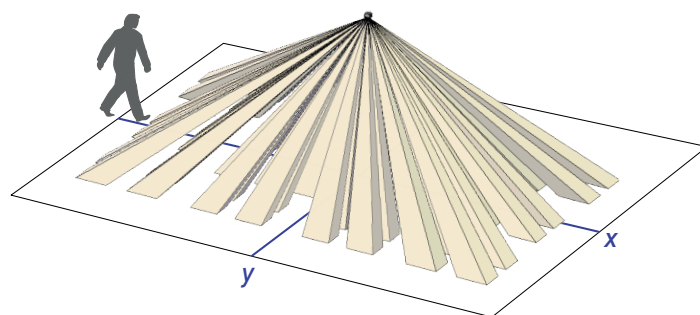
The ActiveAhead Sense Outdoor is attached to a flexible connection cable terminated with a locking connector that plugs into an ActiveAhead Node. The cable exits the IP-protected sensor housing from the side through a threaded entry bush, providing a method of sealing a connection to a luminaire enclosure.



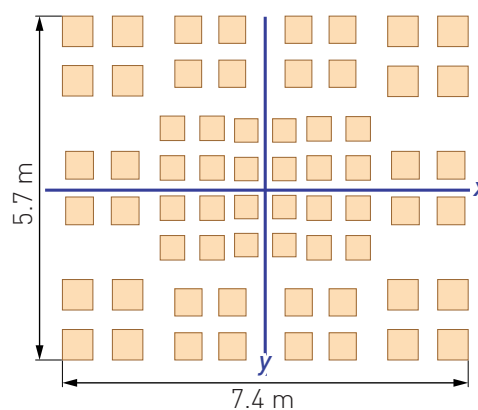
Key Features

- Reliable presence and ambient-light detection.
- Simple, out-of-box energy saving functionality.
- Rugged polycarbonate housing with IP65 rating.
- Easy-to-seal external installation to luminaire enclosure.
- Part of Helvar's ActiveAhead range of products, which anticipate the most suitable lighting conditions right before they are needed.

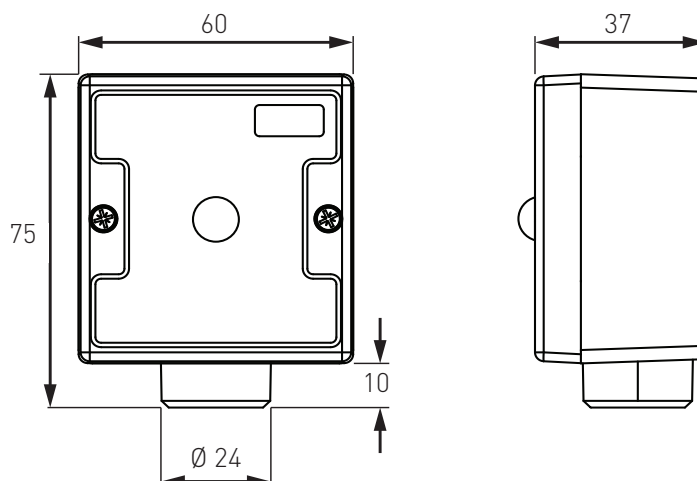
Presence Detection Coverage at 2.5 m Height



Detection pattern at floor level for 2.5 m mounting height



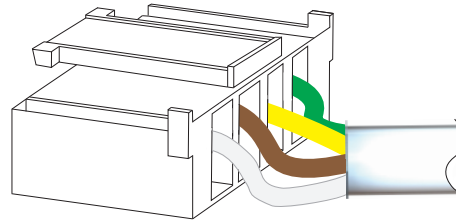
Dimensions (mm)



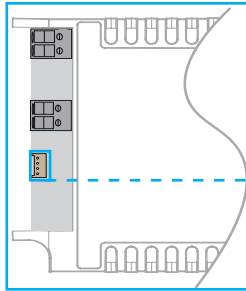


Note: Ensure each connector securely 'clicks' into place when plugged in correctly.

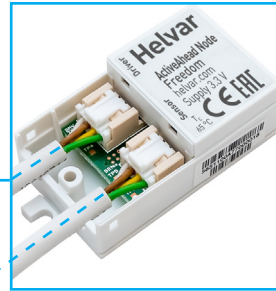
Connector side/rear view



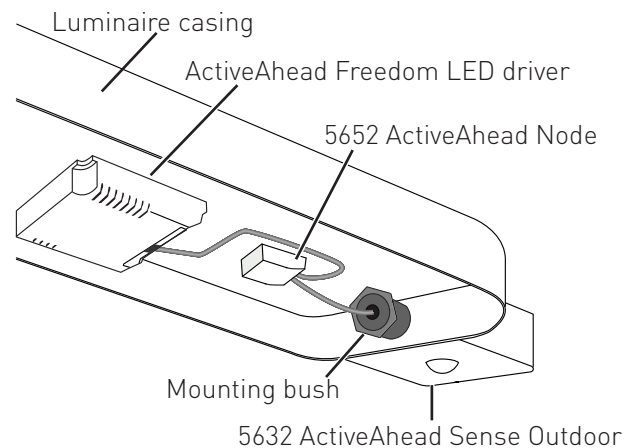
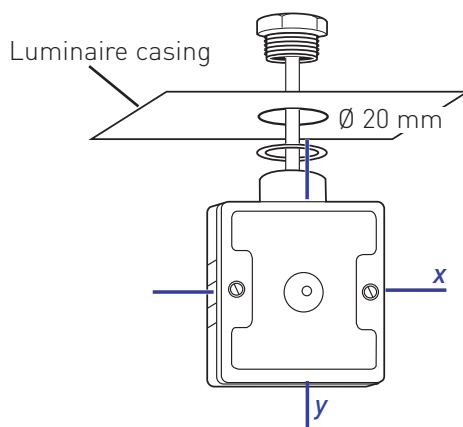
ActiveAhead Freedom LED Driver



5652 ActiveAhead Node



5632 ActiveAhead Outdoor Sense



Technical Data

Connections

ActiveAhead: Flexible cable terminated with a four-way, 2 mm locking connector

Note: If the sensor is connected to non-SELV control gear, the luminaire must be Class I.

Power

Power consumption: 3.3 V; 5 mA max.

Mechanical data

Max. recommended mounting height: 3 m

Presence detection coverage area: 42.2 m² @ 2.5 m mounting height

Dimensions: 60 mm × 75 mm × 37 mm

Mounting hole: 20 mm

Material (enclosure): Fire-retardant polycarbonate

Colour: White (RAL9003)

Weight: 92 g (with attached cable)

IP rating: IP65

Operating conditions

Ambient temperature: -25 °C to +50 °C

Note: The temperature difference between the detection target and the background must be at least 4 °C.

Relative humidity: Max. 90 %, noncondensing

Storage temperature: -25 °C to +70 °C

Conformity and standards

EMC emission: EN 55015

EMC immunity: EN 61574

Safety: EN 61347-2-11

Environment: Complies with RoHS directive.