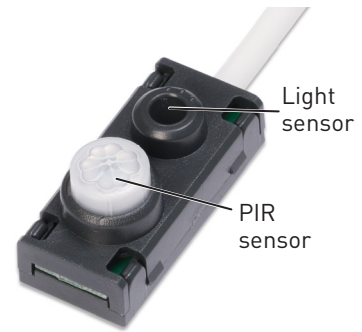


Freedom Sense Installation Guide

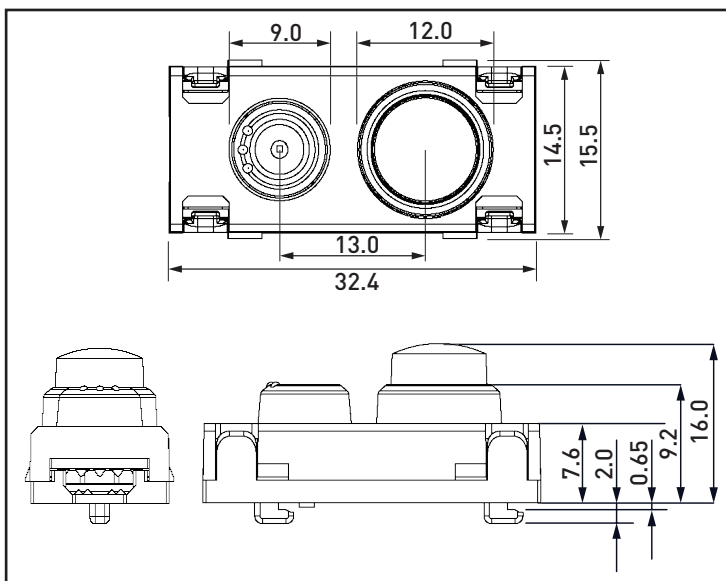
The Freedom Sense is a small luminaire-based sensor that combines a light sensor for constant light control and a passive infrared movement detector.

Similarly as 5630 ActiveAhead Sense, this sensor works as a part of the Helvar's ActiveAhead wireless self-learning lighting control solution.

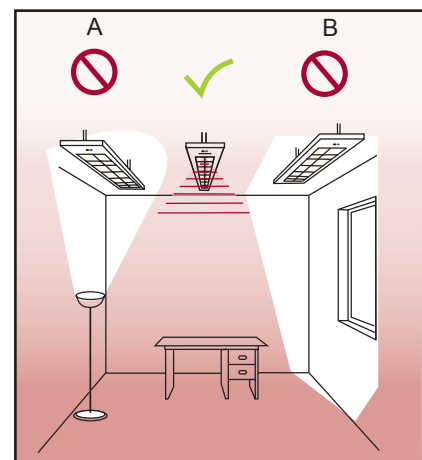


Features

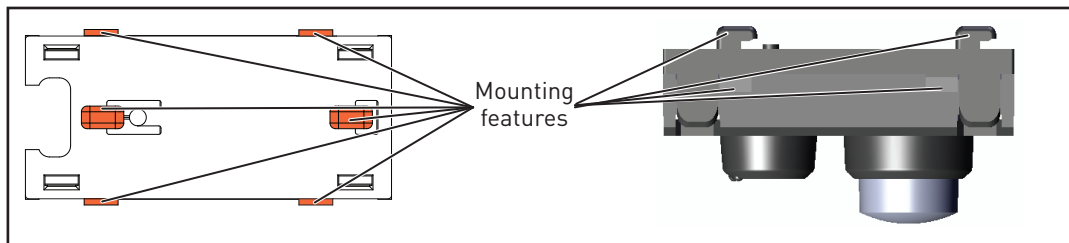
Dimensions (mm)



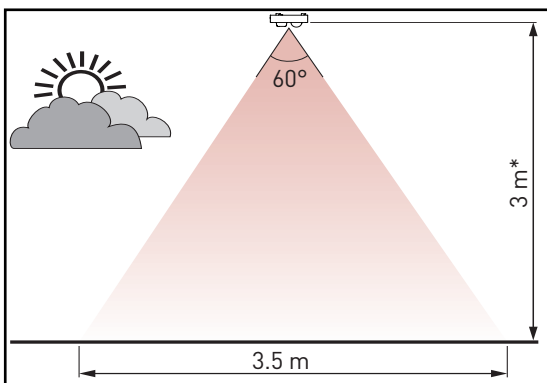
Recommended Location



1. Do not place the sensor in direct line of artificial light sources, e.g. lamps or uplighters.
2. Do not place the sensor in direct sunlight.

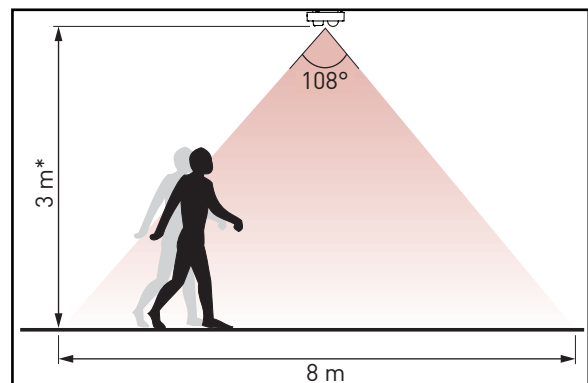


Light Sensor - For constant light functions



*Max recommended height 3 m

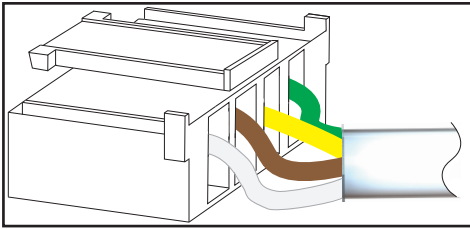
Presence Detector - Passive infrared (PIR)



*Max recommended height 4 m

Connection

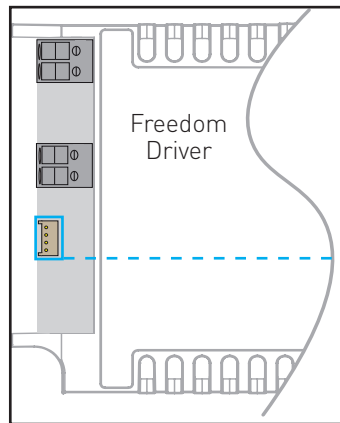
Connector side/rear view



Note: Ensure each connector securely 'clicks' into place when plugged in correctly.

There are two set up scenarios:

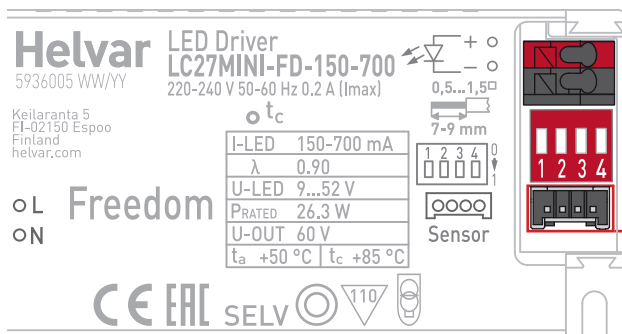
Case 1 - Connection to Freedom driver and separate Freedom Node



Freedom Node



Case 2 - Connection to Freedom driver with integrated radio unit (e.g. LC27MINI-FD-150-700, LL4-CV-FD)



Mounting

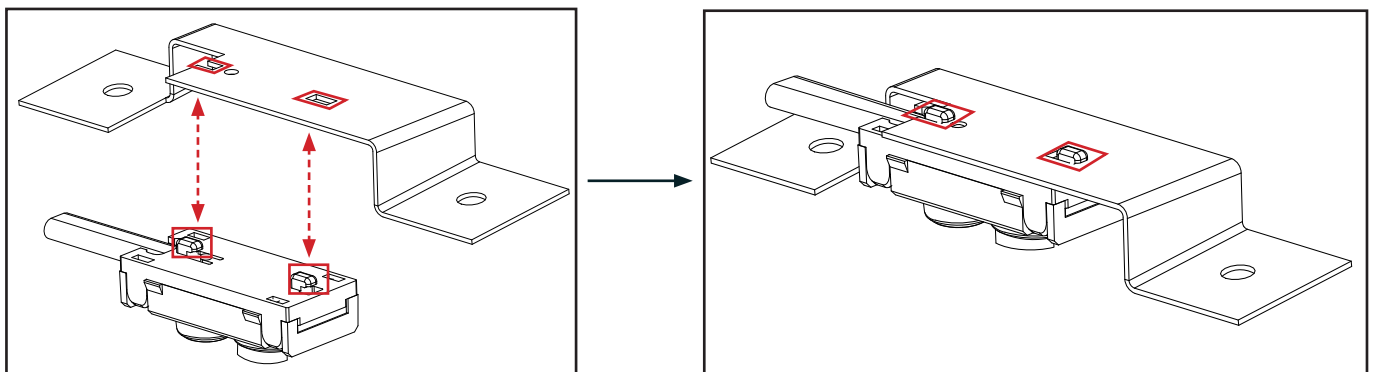
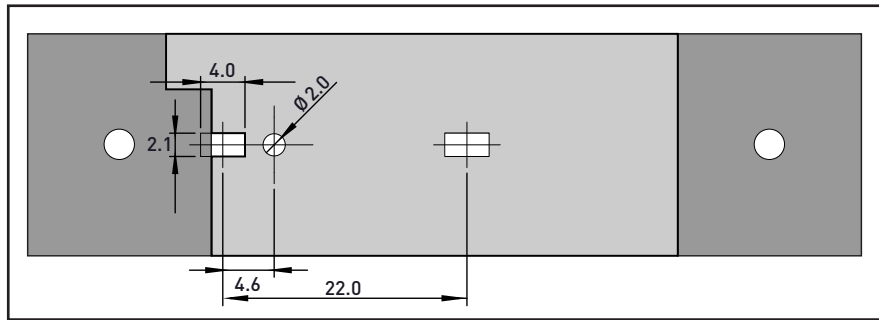
The following figures show two of several possible methods of mounting the Freedom Sense in a luminaire. In both cases, the sensor is mounted to 22 swg (0.7 mm) sheet metal:

- Option 1 uses the mounting features on the rear of the sensor.
- Option 2 uses the mounting features on the long sides of the sensor.

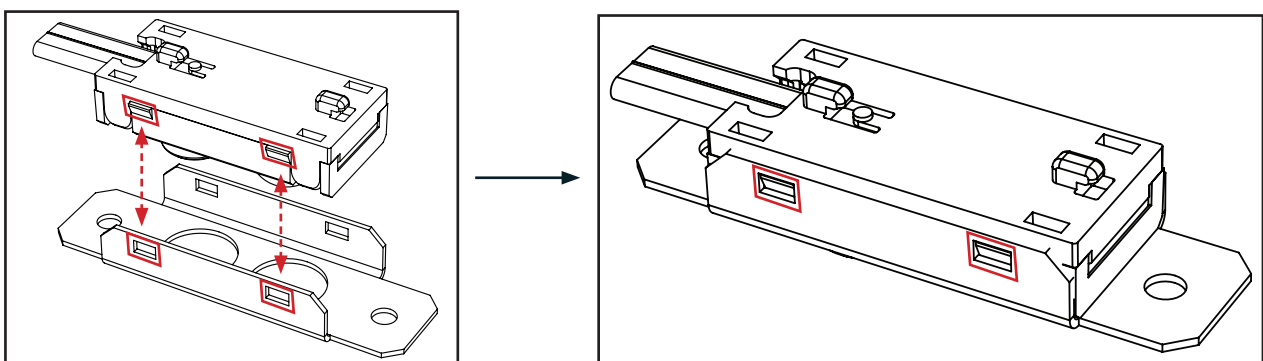
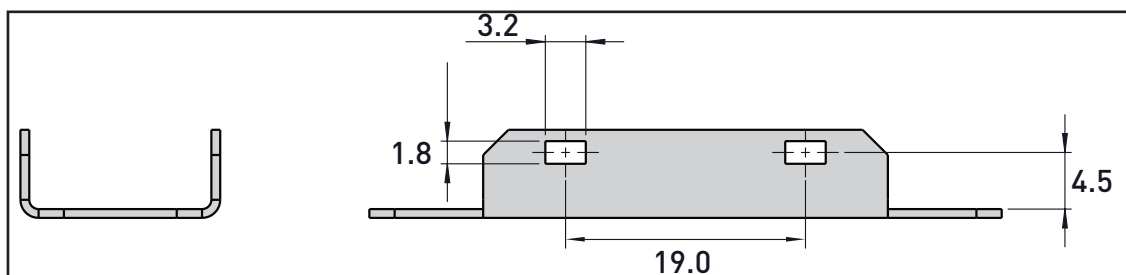
The mounting features can be used to provide customised mounting solutions.

The examples shown are for guidance only. Mounting brackets are not supplied. All dimensions are in millimetres.

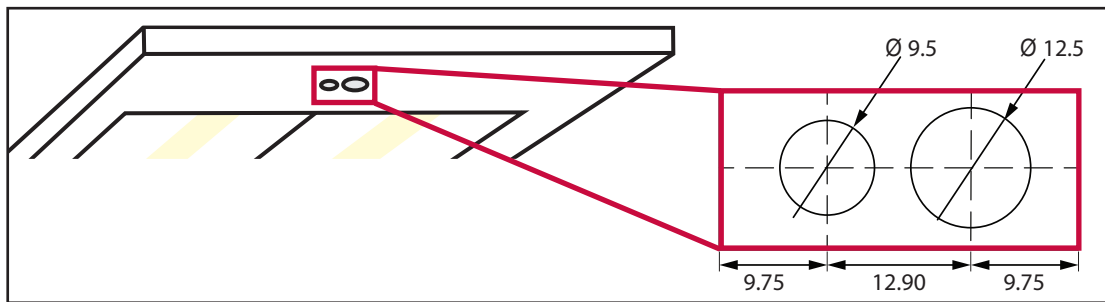
Option 1



Option 2



Luminaire Dimensions



Note: Sensor holders are available to be used with the Freedom Sense:
 5691/5691B - ActiveAhead Sense Rectangular Sensor holder (white/black)
 5692 - ActiveAhead Sense Circular Sensor holder (white)

Technical Data

Connections

Freedom solution: Flexible cable terminated with a four-way, 2 mm locking connector.
Note: If the sensor is connected to non-SELV control gear, the luminaire must be Class I.

Mechanical data

Dimensions: 32.4 mm × 15.5 mm × 18 mm
 Material (casing): Fire-retardant PC/ABS blend.
 Colour: White (RAL 9003)
 Black (RAL 7016)
 IP code: IP30
 Weight: 22 g

Operating conditions

Ambient temperature: -20 °C to +50 °C
Note: The temperature difference between the detection target and the background must be at least 4 °C.
 Relative humidity: Max. 85 %, noncondensing
 Storage temperature: -20 °C to +70 °C
 Illuminance: 5 lx to 5000 lx

Conformity and standards

EMC emission: EN 55015
 EMC immunity: EN 61547
 Safety: EN 61347-2-11
 Environment: Complies with RoHS directive.

Cable Information

Order Code: 5630010 Length: 30 cm, Colour: White
 Order Code: 5630020 Length: 80 cm, Colour: White
 Order Code: 5630120 Length: 80 cm, Colour: Black