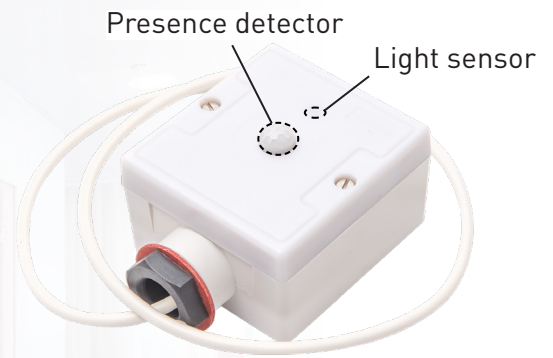


## Freedom luminaire-based sensor Series

Product code: 5632020

- Robust luminaire-based sensor that combines a constant light sensor and a passive infrared movement detector
- Can be used with Helvar Freedom driver + Node solutions when the control system supports it
- Rugged polycarbonate housing with IP65 rating to suit various environments
- Easy-to-seal external installation to luminaire enclosure.



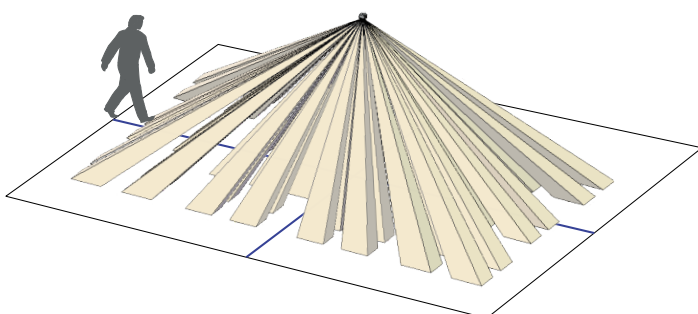
### KEY FEATURES

- Luminaire-based presence and ambient-light detection for smart solutions
- Unlock the full lighting comfort and energy saving potential in your luminaire
- IP65 protected sturdy sensor housing
- The cable exits the housing from the side through a threaded entry bush, providing a method of sealing a connection to a luminaire enclosure
- Compatible with the following Freedom wireless lighting control solutions: ActiveAhead, Casambi, Mount Kelvin and Mymesh by Chess.

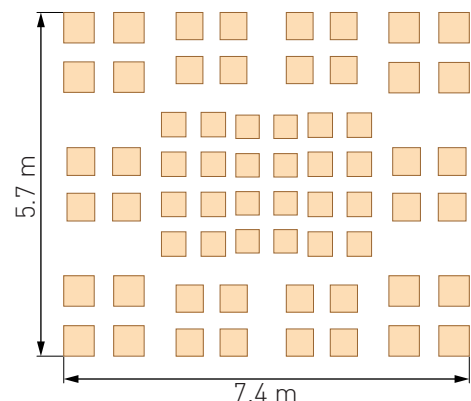
### ORDER CODES

Product name	Order code	Sensor casing colour	Cable length
<i>Freedom Sensors</i>			
<b>Freedom Sense Outdoor</b>	5632020	White	80 cm

### DETECTION

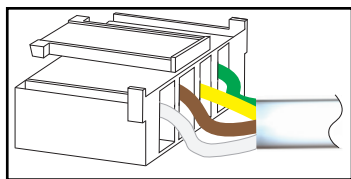


Presence detection coverage at 2.5 m height



Detection pattern at floor level for 2.5 m mounting height

## CONNECTION



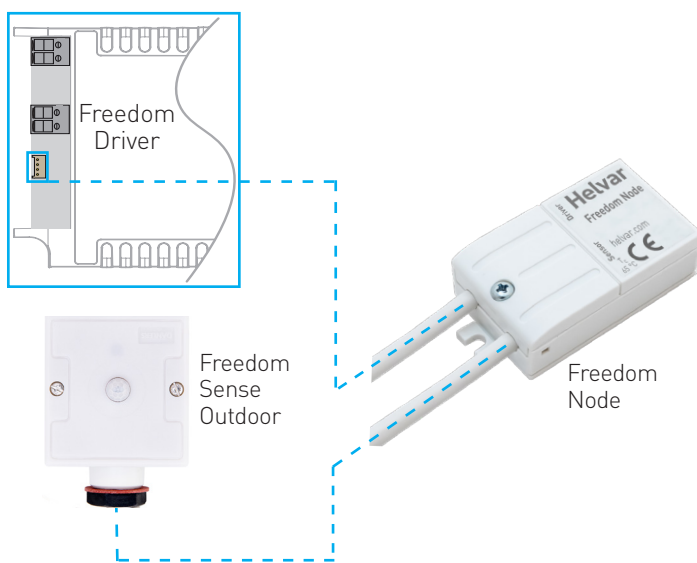
Connector side/rear view



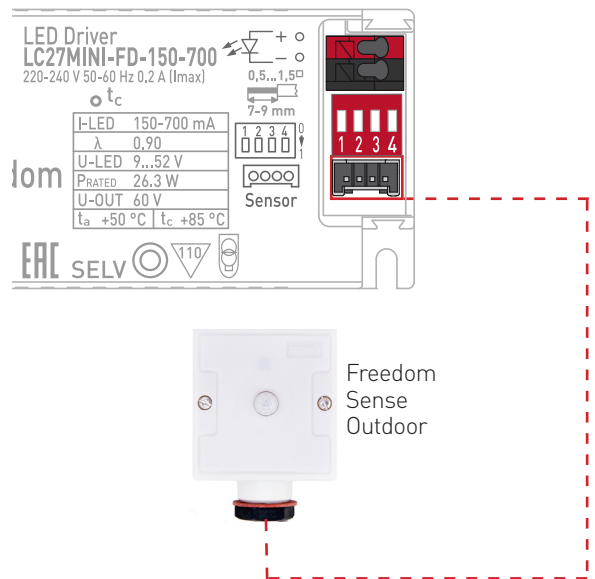
**Note:** Ensure each connector securely 'clicks' into place when plugged in correctly.

There are two set up scenarios:

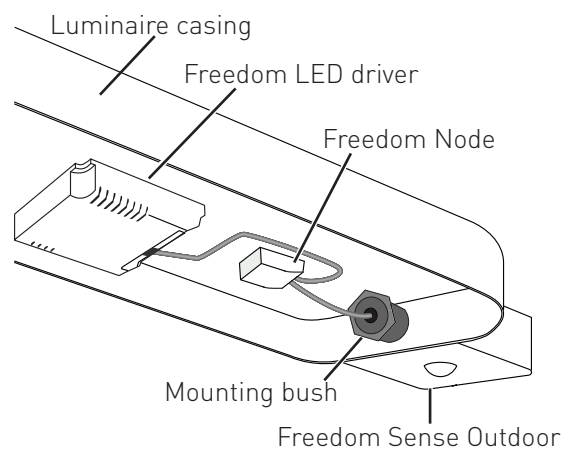
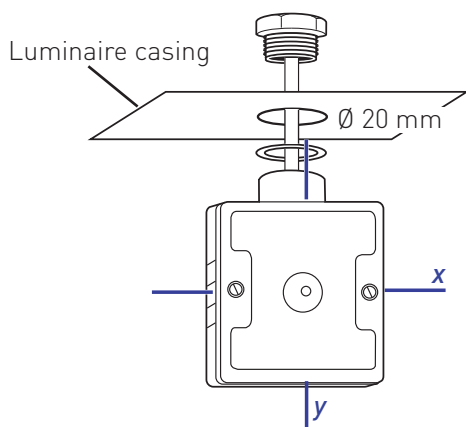
### Case 1 - Connection with Freedom driver and separate Freedom Node



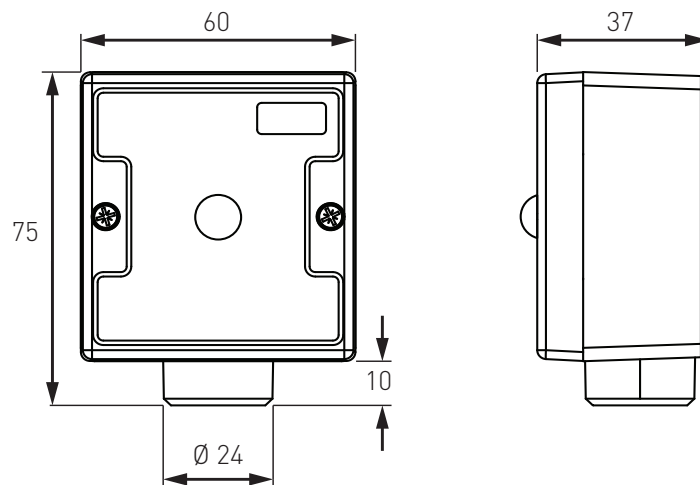
### Case 2 - Connection to Freedom driver with integrated radio unit (e.g. LC27MINI-FD-150-700, LL4-CV-FD)



## MOUNTING



## DIMENSIONS



## MATERIALS AND CONDITIONS

## Connections

Freedom solution	Flexible cable terminated with a four-way, 2 mm locking connector. Note: If the sensor is connected to non-SELV control gear, the luminaire must be Class I.
------------------	---

## Operating Conditions

Ambient temperature range	-25...+50 °C Note: the temperature difference between the detection target and the background must be at least 4 °C.
Relative humidity	Max. 90 %, noncondensing
Storage temperature	-25...+70 °C

## Power

Power consumption	3.3 V; 5 mA max.
-------------------	------------------

## Conformity &amp; Standards

EMC emission	EN 55015
EMC Immunity	EN 61547
Safety	EN 61347-2-11

## Detection and mechanical data

Max. recommended mounting height	3 m
Presence detection coverage area	42.2 m <sup>2</sup> @ 2.5 m mounting height
Dimensions	60 mm x 75 mm x 37 mm
Mounting hole	20 mm
Material (casing)	Fire-retardant polycarbonate
Colour	White (RAL 9003)
Ingress protection rating	IP65
Weight	92 g (with attached cable)

Compliant with relevant EU directives, CE marked, RoHS compliant